

WHAM

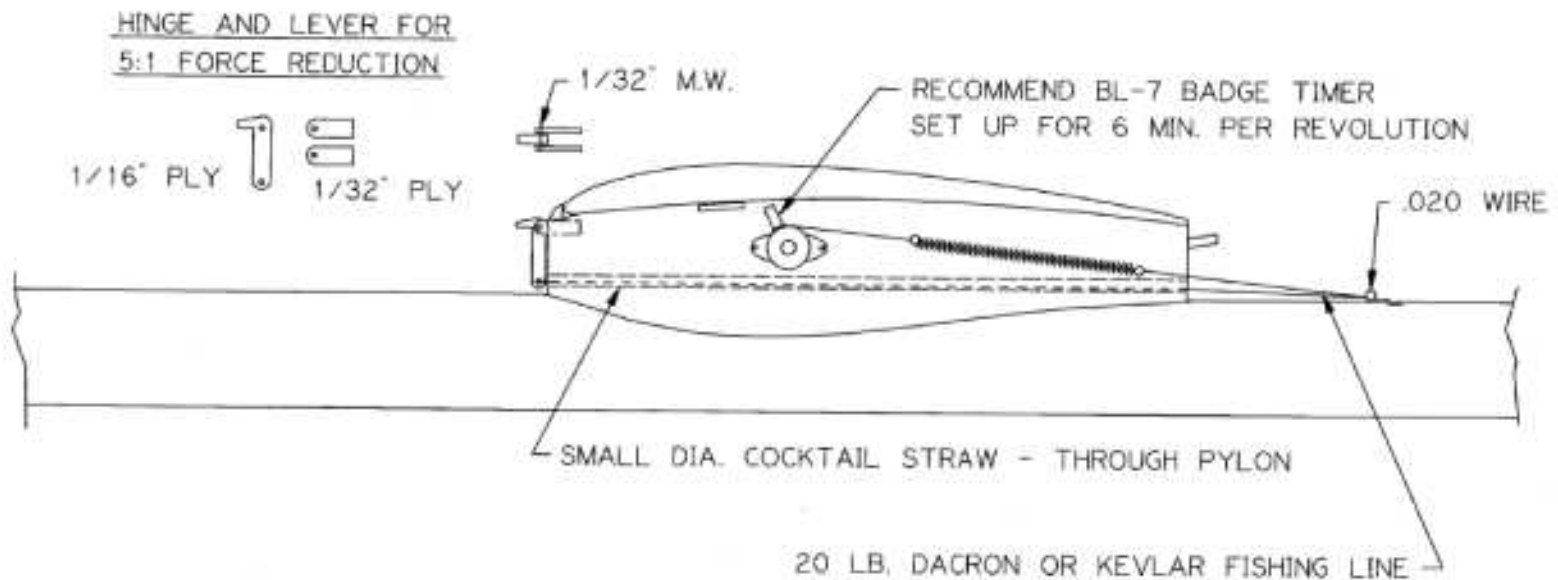
NEWS, VIEWS and REVIEWS

Issue JE-97
May 12, 2012

Official Publication of the Wichita Historical Aircraft Modelers, SAM 56,
and the Kansas Sunflower Squadron, FAC Squadron #23

P-30 Wing Dethermalizer set-up

Polecat X - Viscous Timer Retrofit
D. DeLoach 2/2/06



This is a slick wing dethermalizer set-up developed by Don DeLoach. It blows the wing off in a straight forward manner. The diagram shows a viscous timer, but a fuse or radio DT could be substituted. The key difference is the use of a straw as a tunnel to run the DT string through the pylon to run the forward lever (rubber band hold).

March 10, 2012 Meeting Minutes

ATTENDEES:

Mary Kay & George Avila, Paula & Jeff Englert, Regina and Marty Kline, Danese & Bill Lindsey, Jane & Earl Griffith, Marty & Jim O'Reilly, Eleanor & Jack Phelps, Linda & Chuck Powell, Ed Salguero, Marilyn & Bill Schmidt, Dan Walton

President Avila called the meeting to order.
The previous meeting minutes were approved.
The treasurer's report was presented.

OLD BUSINESS:

None.

NEW BUSINESS:

George discussed the lost of the flying field by the Seguine, TX group.

Bill discussed how the swap meets appear to be losing attendance.

Four Events were established as standard for our fun fly events each month;
1/2 A Texaco, small rubber combined (150 in²), Cat glider, and 1/2A early NOS

A motion was made and passed to hold the next meeting at the Benton (Stearman Field) Airport Café.

(Drive out east on K-254 to Benton), take Main Street South to airport,

SHOW AND TELL:

Earl awarded Chocolate for the 2011 National Free Flight Society National Cup placings by the club members;

Chuck Powell	- 14th Glider
Bill Schmidt	- 16th NOS Power
Jim O'Reilly	- 5th AMA rubber & 6th NOS rubber
Earl Griffith	- 33rd NOS rubber & 1st AMA rubber
Jeff Englert	- 15th small NOS Power & 19th NOS rubber
George Avila	- 36th in Power, 3rd A Power, 2nd classic Power

Benton Airport Info & Direction

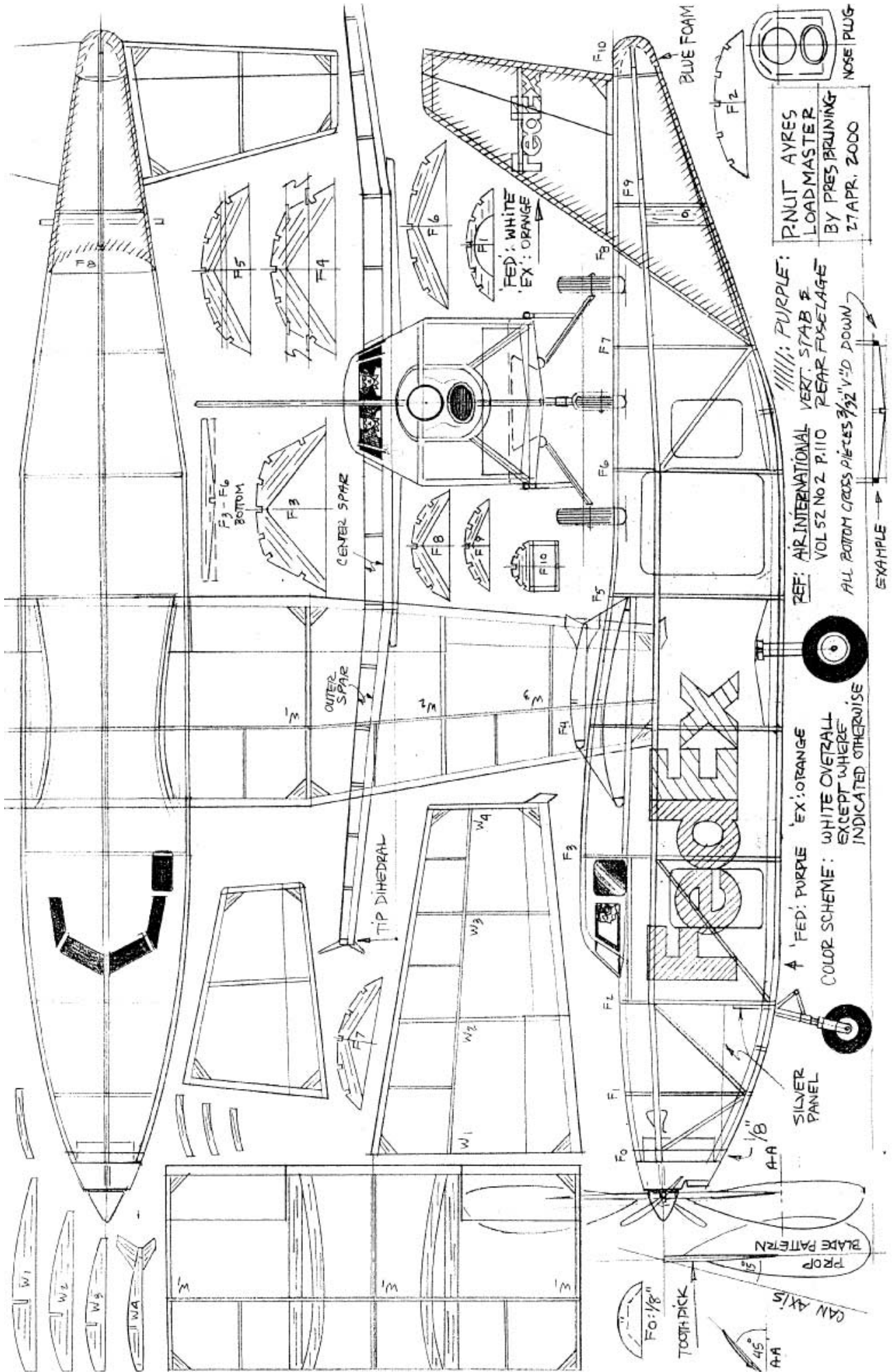
Lloyd Stearman Field, also known as Benton Airpark, is a public airport located one mile (1.6 km) southwest of the central business district (CBD) of Benton, in Butler County, Kansas, USA. The airport covers 30 acres and has one runway. It was named in honor of aviation pioneer Lloyd Stearman and seven Stearman World War II era training biplanes are based there.



Bill Schmidt's .020 sized Tabi Pacer!

Bill's Republic F-84E Thunderjet from Comet Plans.







LE BELLANCA CF

Le premier avion de transport moderne qui a été étudié, construit et exploité avec succès aux USA
 Moteur 40 cylindres Anzani

Documentation: le Fana de l'Aviation n° 160

ANNEE 1922

Maquette Volante Taille Peanuts longueur 210 mm
 Dessiné par E. Fillon, Aéromodéliste
 Bois dur #2

Recouvrement papier condensateur tendu à l'alcool le fuselage est teinté au feutre couleur bois acacia

BELLANCA CF

Centrage

21

Aluminium

A2

Décote

Bois #2

Bois #2

Bois #2

Bois #2

Bois #2

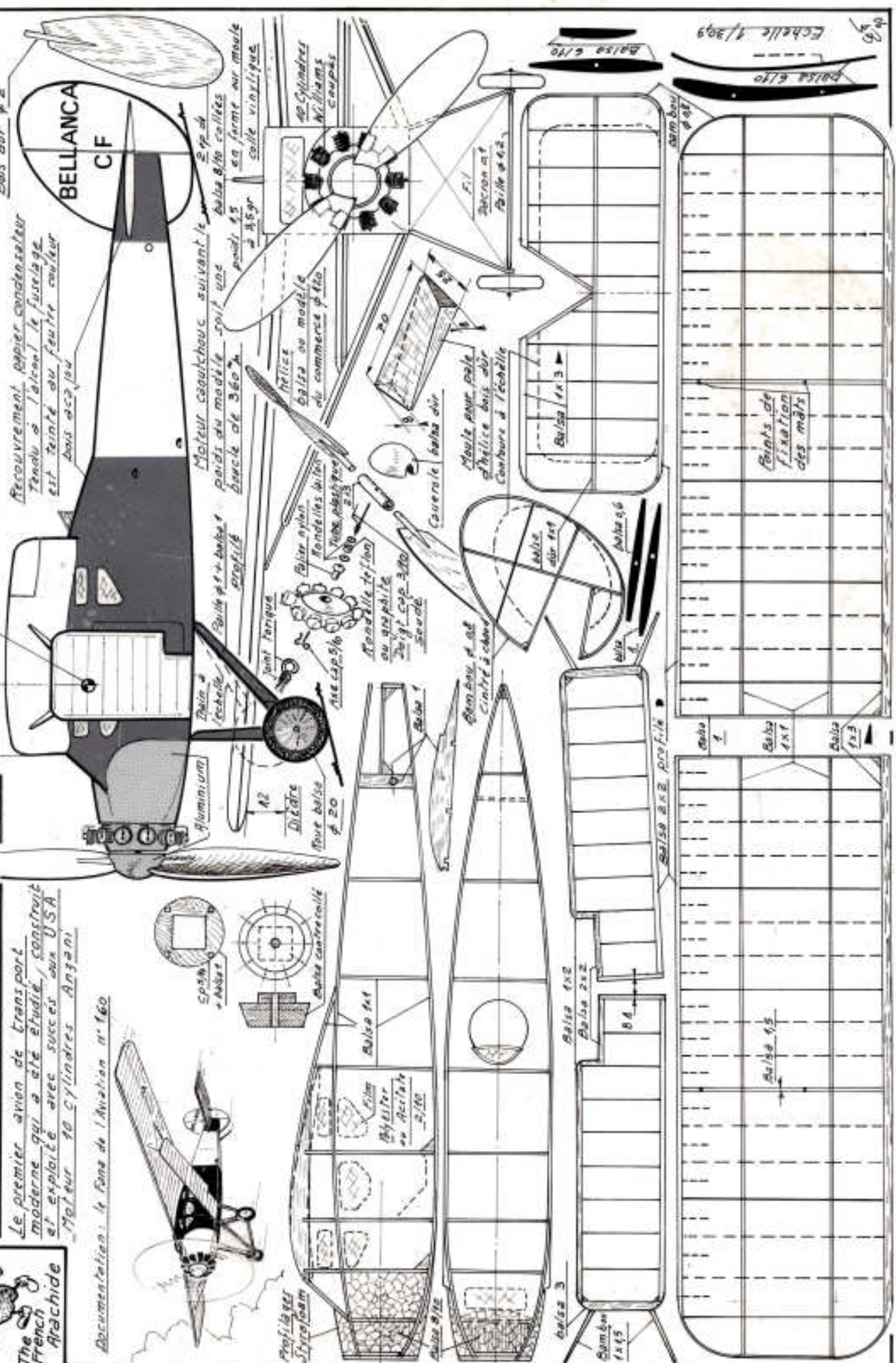
Bois #2

Bois #2

Bois #2

Bois #2

Bois #2



Echelle 1/200

Bois #2

Bois #2

Bois #2

Bois #2

Bois #2

Bois #2

Bois #2

Bois #2

Bois #2

Bois #2

Bois #2

Bois #2

Bois #2

Bois #2

Bois #2

Bois #2

Bois #2

Bois #2

Bois #2

Bois #2

Bois #2

Bois #2

Bois #2

Bois #2

Bois #2

Bois #2

Bois #2

Bois #2

Bois #2

Bois #2

Bois #2

Bois #2

Bois #2

Bois #2

Bois #2

Bois #2

Bois #2

Bois #2

Bois #2

Bois #2

Bois #2

Bois #2

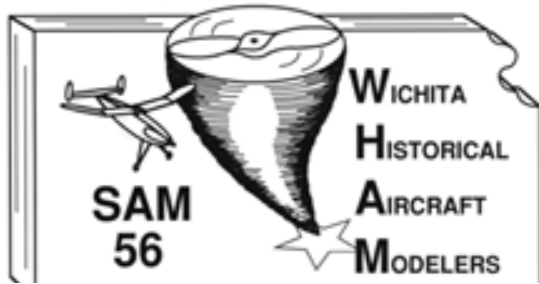
Bois #2

Bois #2

Bois #2

Bois #2

WHAM – News, Views and Reviews
 Jeff Englert
 10118 Sterling Court
 Wichita, KS 67205



FLYING
ACES



Sunflower Squadron
 Wichita, KS

The next SAM 56 Dinner Meeting will be at:

Stearman Field Bar & Grill

Benton, KS Airport

(316) 778-1612

Saturday, May 19, 2012

Social Hour @ 6:00 PM, Dinner @ 7:00 PM..

Upcoming events:

June 23/24 Fun fly, 1/2 A Texaco, small rubber combined (150 in²), Cat glider, and 1/2A early NOS

July 21/22 Meeting Fun fly, 1/2 A Texaco, small rubber combined (150 in²), Cat glider, and 1/2A early NOS

Membership Information:

Open to all interested AMA members, founded to encourage and promote the model airplane building hobby. Member dues \$20 annually, Subscription only; \$12 annually, \$18 foreign.

Send checks to Jim O'Reilly, 4760 Battin, Wichita, KS 67220.

All memberships and subscription renewals are due January 1st of the new year.

Club Officers: President: George Avila, 683-1474 Vice-President: Bill Schmidt 744-0378,

Treasurer: Jim O'Reilly, 744-0856 Secretary: Jeff Englert, 722-7491