

## 16 AEROTAN BIPLANE - Horizontal Tail Drawing

1 message

Tandy Walker <rdb435021@icloud.com>  
To: Tandy Walker <rdb435021@icloud.com>

3 January 2023 at 08:32

Report No. 16

## AEROTAN BIPLANE

January 2, 2023

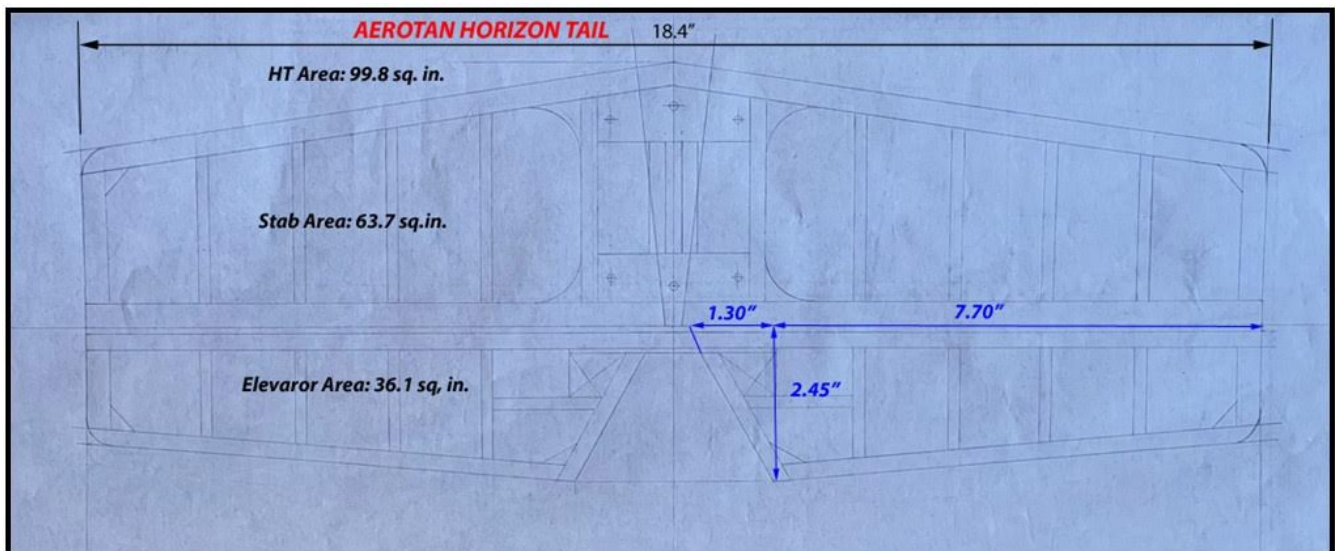
I have managed to keep my mind off health issues by complete the design and drawing for the AEROTAN's horizontal tail shown below. The design was taken from my Veco Pursuit configuration with a reduced horizontal area of just under 100 sq. in. The horizontal tail will be 1/4" thick with the following dimensions:

Stab Span: 18.4"                      Elevator Span: 18.4"

Center Chord: 4.14"                      Center Chord: 2.45"

Tip Chord: 2.77"                      Tip Chord: 1.82"

Area: 63.7 sq. in.                      Area: 36.1 sq. in.

Elevator  $\Delta$ : 1.30" x 2.45" (as shown below)

**Personal Note:** My liver biopsy was aborted at the last minute due to a high blood pressure issue. My new oncologist (Dr. Anwar Kurshid) cancelled the biopsy all together for fear of spreading the tumorous lesion. He has ordered PET and said if the PET scan showed no other tumorous activity in the body, he would recommend surgically removing the tumorous lesion. He has already contacted a Dr. Washington for the surgery. She specializes in operating on the liver and pancreas organs. However first, my cardiologist will have to do some medication adjustments to bring my blood pressure back down to a normal range.....Tandy