



Trevor Boundy <trevor@boundy39.com>

---

## 143 Cleveland Cloudster 600 - Decal Order

1 message

---

Tandy Walker <rdb435021@icloud.com>  
To: Tandy Walker <rdb435021@icloud.com>

Report No. 14.  
*Cleveland Cloudste*  
*February 22, 20*

Callie,

I plan to use black striping tape to trim the wing's red to white color tra

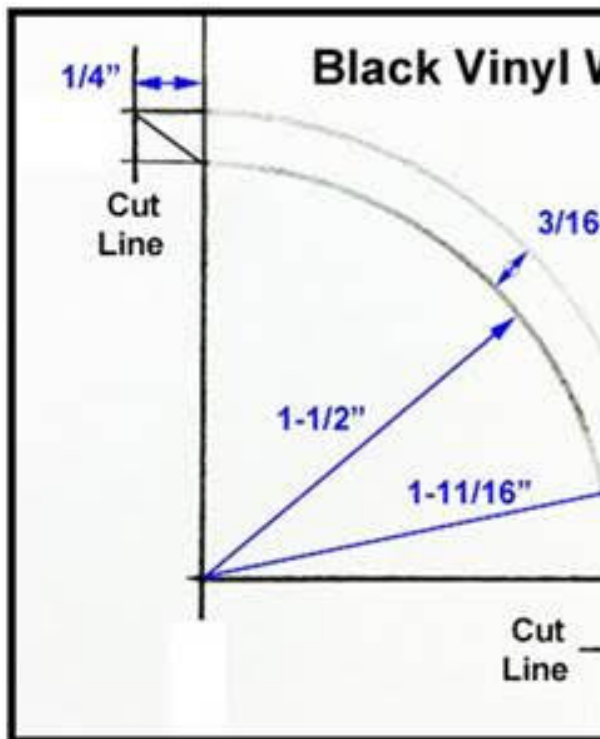


However, I found that I was not able to smoothly apply the tape around picture below so I want you to make these curved arcs in decals.

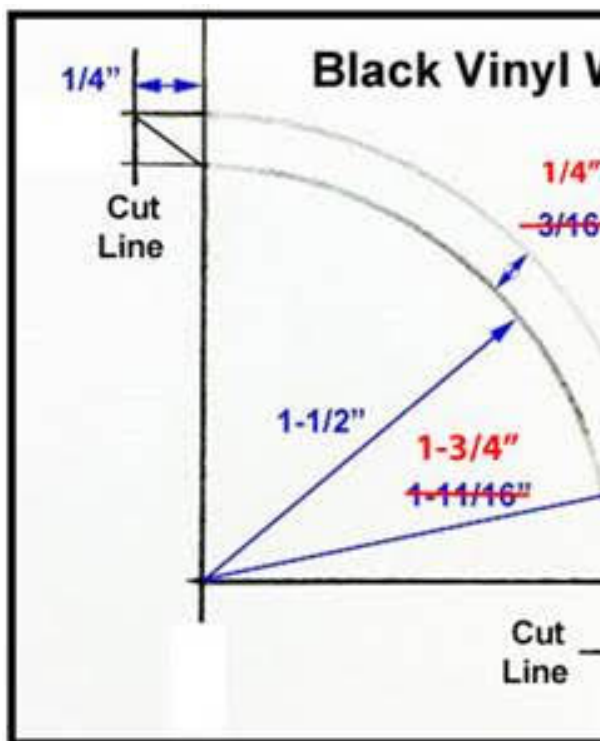


*Decals for the*

I need four (4) of the 3/16" wide black vinyl corn

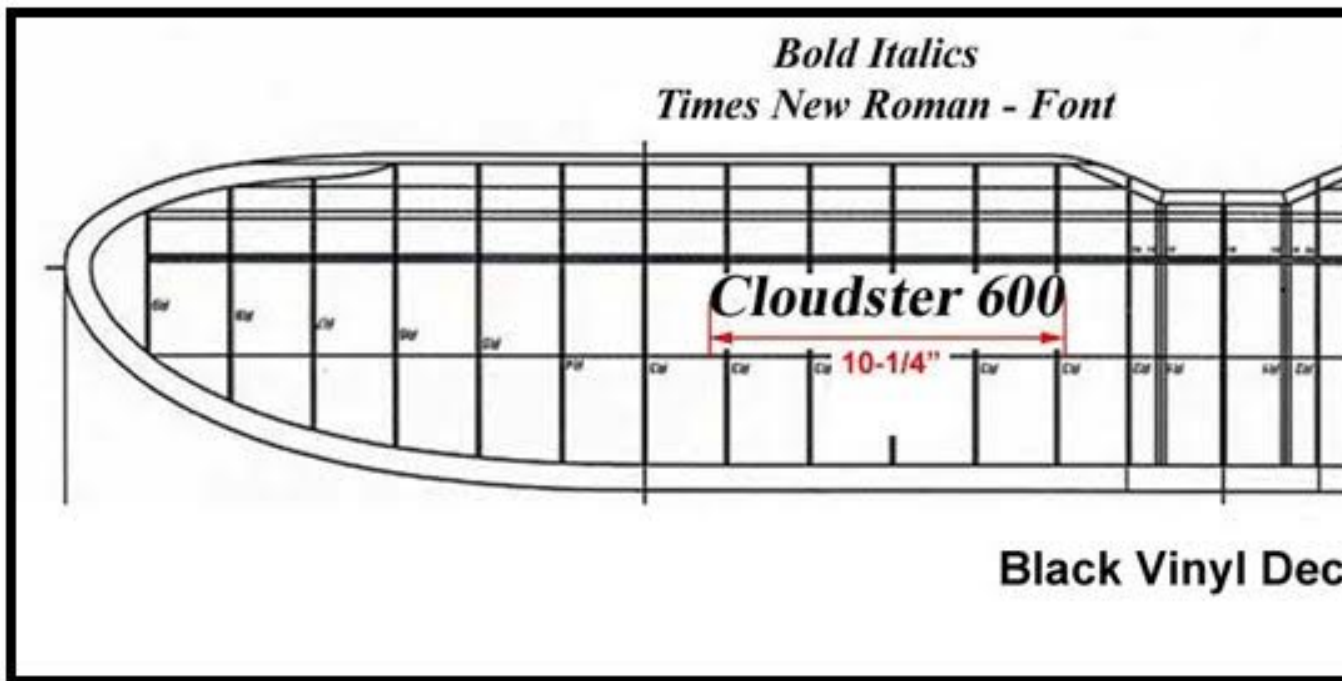


I also need four (4) of the 1/4" wide black vinyl corner arcs detailed in the size I want to use yet.



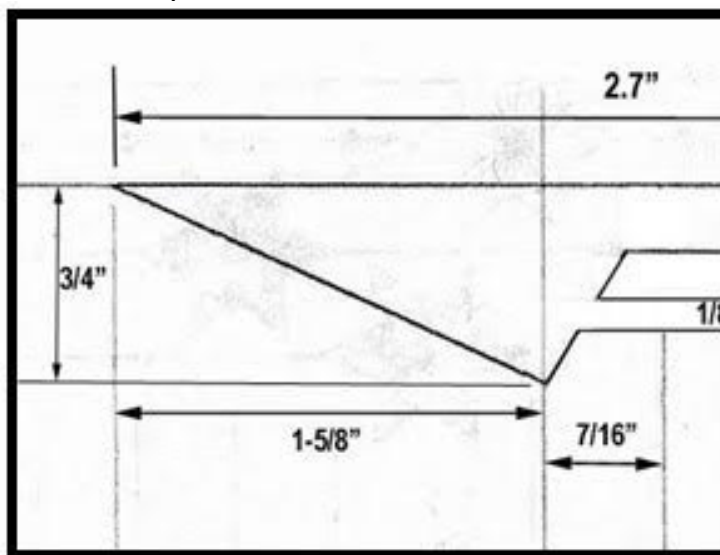
Make the "Cloudster 600" black decal on the left side of the wing approximately as shown below.

Make the "AMA 71698" black decal on the right side of the wing approximately



Decals for the F

Make the fuselage's white vinyl decals as per the sketch below, one for t  
 have this pattern as you made these for my Lancer 850 back in in Decem



Decals for the

Make the fin's white vinyl decal as per the dimensional sketch below, one  
 measurements are approximate.

